



INSTANTANEOUS AND FUNCTION RELAYS

Timer relays 2 contacts / CACL97



CACL97

- ▶ rear wiring socket with clips ERDL2/CA
- ▶ rear wiring socket / PCB mounting ERC2/CA
- ▶ front wiring socket / screw terminals EVB2/CA

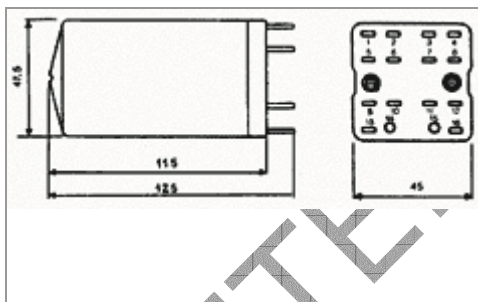
DESCRIPTION ▶

Electronic timer relay adjustable from 0.1 sec. to 10 h - 2 timed contacts / 2 instantaneous contacts- 3 A.

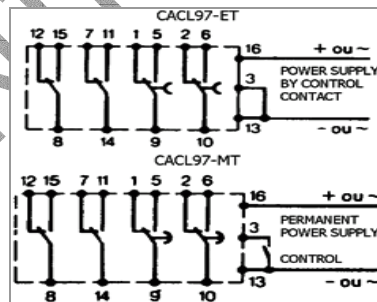
Pluggable on socket with a withdrawal clasp (**see our withdrawal guide in the technical support pages of this site**)

Pluggable on the following sockets : EVB2/CA, ERC2/CA, ERDL2/CA

Dimensions



Connection



OPERATION PRINCIPLE ▶

Functions :

* **ET - timed on voltage application** : shunt or not terminals n° 3 and 13, timing is made on voltage application between 13 and 16 through a control contact.

* **MT - timed on voltage lack** : permanent voltage application between 13 and 16, relay energizing by closing the control contact between 3 and 13 (control by the -), timing on operate when opening the control contact.

Timing adjustable by potentiometer on front face:

* 0,1 s to 10 h

display accuracy : + 5% to + 20%

repetitiveness fidelity : +/- 0,1% or 10 ms

result of influences : +/- 5% or 30 ms

TECHNICAL FEATURES ▶

Function	timer (ET, MT)
Presentation	under cover
Connection	on front or rear wiring socket
Number of mechanical operations	5.000.000
Operating temperature	- 10 to + 55°C
Storage temperature	- 25 to + 70°C
Climatic protection	optional reinforced climatic protection
Shock voltage	5 KV (wave 1,2/50 µs)
Dielectric strength	1000 to 2200 V eff
Weight	300 g.
Protection level	IP 20 (according to NFC 20-010)
Resistance to mechanical shocks	50 g / 11 ms / semi-sinusoïde (CEI 68-2-27)
Resistance to vibrations	0,35 mm / 10-55 Hz / 10 cycles
Operate time	minimum supply time : DC 10 ms / AC 40 ms
Release time	recycling time : 30 ms

COIL DATA ▶

	Direct current	Alternative current
Min. nominal voltage DC	24 V	24 V
Min. nominal voltage AC	250 V	250 V - 50/60 Hz
Operating range	-20/+10% of nominal voltage	

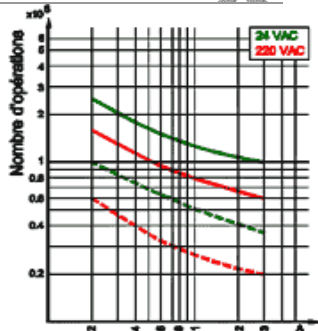
CONTACTS ▶

Number of contacts	2
Max. load current	3 A per contact
Low power switching	5 V - 10 mA

CONTACTS RATING ▶

ALTERNATIVE CURRENT

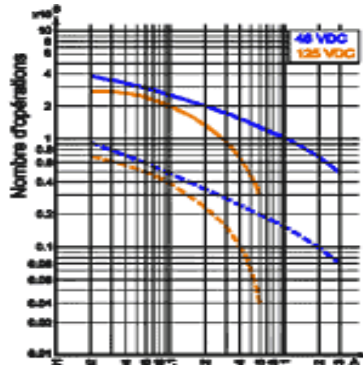
connection on AC



..... circuit résistif / resistive circuit
----- circuit selfique / inductive circuit $\cos \varphi = 0,5$

DIRECT CURRENT

connection on DC



..... circuit résistif / resistive circuit
----- circuit selfique / inductive circuit L/R = 40 ms

VERSIONS ▶

Homologations & conformities :

- * CEI 255-1-00
- * NFC 45-250



Emekyemez Mah. Yüksek Minare Sk. No:8 / 17
80020 Karaköy / İstanbul
Tel:212/2359535
Fax:212/2359537